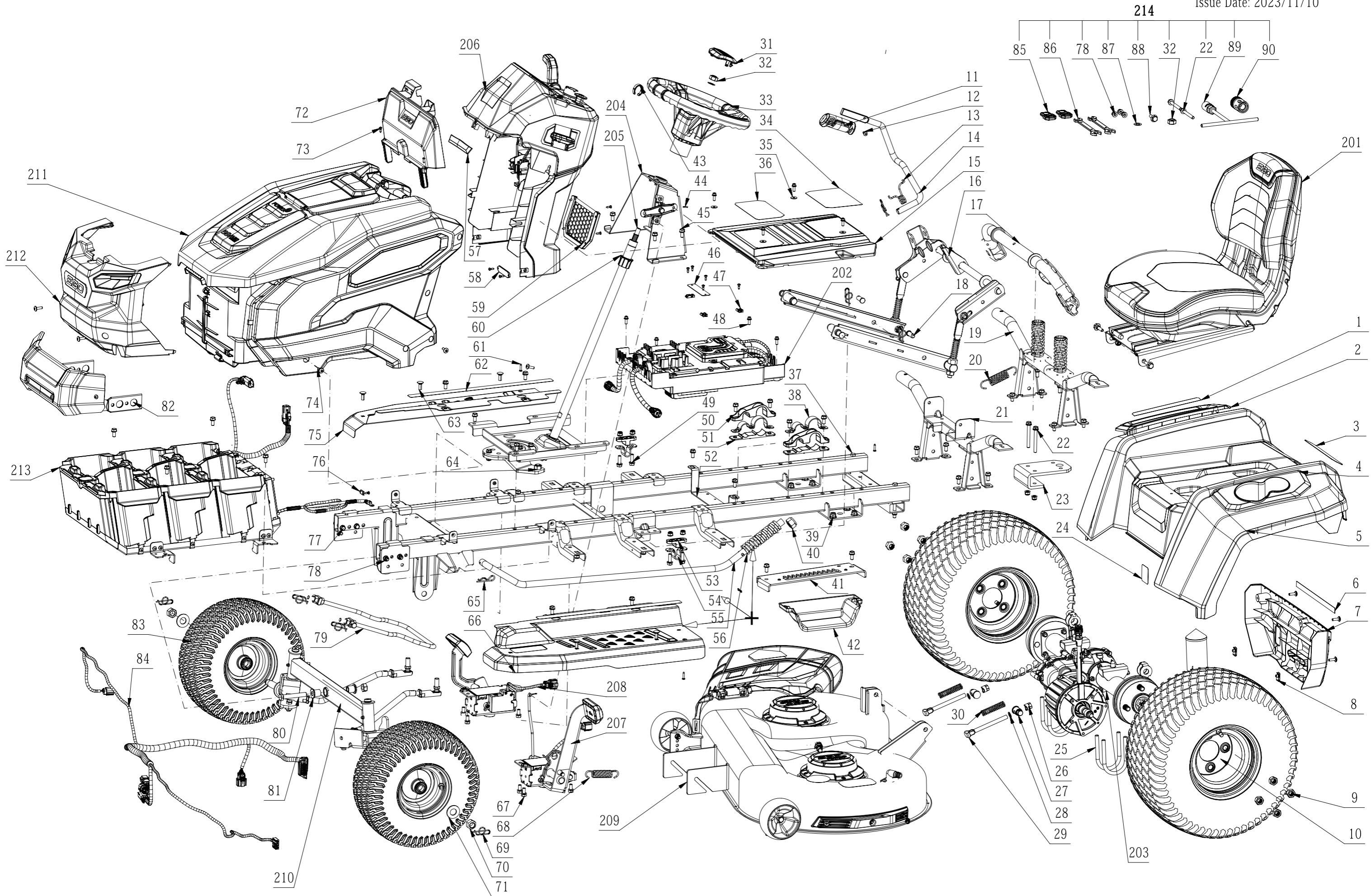




Tondeuse Autoportée
Pièces Détachées
TR4201E



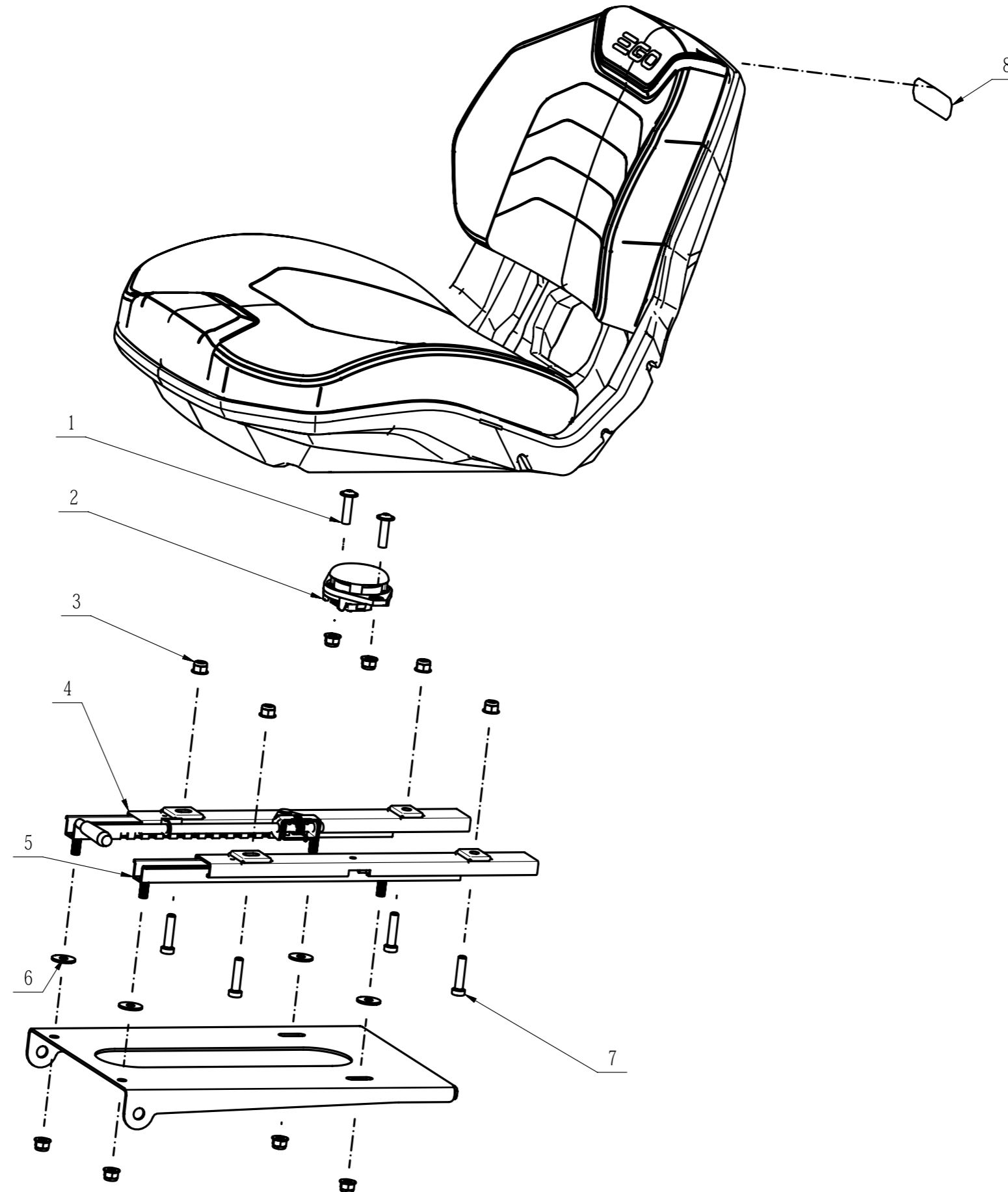
position	material number	description	quantity
	TR4201E_001	Vue Générale	
1	2246023002	Nameplate	1
2	3134258003	Right Cover Plate	1
3	2246019001	Nameplate	1
4	3134260001	Storage Box Top Cover	1
5	2850177003	Rear Cover Assembly	1
6	2246076001	Nameplate	1
7	3134261002	Rear Guard	1
8	5630507001	Anti-stripping Clip	3
9	5630516001	Conical Nut	8
10	2829492001	Rear Wheel Set	2
11	3134257001	Adjusting Handle	1
12	5610388001	Hexalobular Socket Thread	1
13	3667857001	Torsion Spring	1
14	3708920001	Handle Lever	1
15	2829635003	Cover Assembly	1
16	2850764001	Lift Shaft Assembly	1
17	2829438001	Rocker Assembly	1
18	5670553001	Pin Shaft	2
19	2829621001	Base Assembly	1
20	3667856001	Tension Spring	1
21	2829349001	Base Assembly	1
22	5640363002	Flange Bolt-Large Series	4
23	3708924001	Hitch	1
24	2245663001	Nameplate	1
25	5640530001	U Bolt	4
26	5630505001	Hex Nut	2
27	3555993001	Spindle	2
28	5650178001		2
29	5640507001	Bolts for T-Slot	2
30	3667850001	Compression Spring	2
31	3323511001	Decorative Cover	1
32	5630070003	Nut	3
33	3403459001	Steering Wheel Assembly	1
34	2246024002	Nameplate	1
35	5650017011	Plain Washer	4
36	2246022002	Nameplate	1
37	5640302001	Hexagon Head Bolt	2
38	3708866001	Pressure Plate	2
39	5630267001	Nut	8
40	5630511001	Nut	1
41	3708913001	Depth Stop Plate	1
42	3134839001	Splash Guard	1

43	3134267001	Decorative Ring	1
44	5670184002	Pin	2
45	5640360001	Hexagon Flange Head	35
46	3708979001	Close Cover	1
47	3135103001	Fixed Unit	3
48	5611051001	Hexagon Flange Head	12
49	5640354001	Flange Bolt-Large Series	4
50	3134126001	Fixed Unit	2
51	3134127001	Bottom Board	2
52	3709506001	Bracket	1
53	3521236001	Support Base	2
54	3707307001	Pressure Plate	2
55	2829443001	Connecting Rod Assembly	1
56	3667865001	Compression Spring	1
57	3135765001	Screw Cover	1
58	3134123001	Locking Plate	1
59	2850266001	Protecting Net Assembly	1
60	3134435001	Bushing	1
61	5620157006	Hexagon Socket Screw	4
62	2245660001	Nameplate	2
63	5640358001	Small Round Head Low	6
64	5630519001	Lock Nut	2
65	5670753001	Spring Pin	1
66	3708859003	Pedal	1
67	5640222001	Hexagon Flange Bolt	2
68	3667946001	Tension Spring	1
69	5670561002		7
70	5630518001	Lock Nut	2
71	5650908001		2
72	3134552001	Decorative Cover	1
73	5620377003	Hexagon Socket Screw	17
74	5611130001	Hexalobular Socket Tapping	11
75	3708858003	Pedal	1
76	3700367001	Cord Anchorage	1
77	5640353001	Flange Bolt-Large Series	4
78	5630371001	Prevailing Torque Type	23
79	2850152001	Hanger Rod Assembly	1
80	5640521001	Hexagon Head Bolt	1
81	3580470001	Bushing	2
82	2850198001	Front Frame Assembly	1
83	2829678001	Front Wheel Set	2
84	4861221001	Bus Wire Harness Assembly	1
85	2827673001	Key Assembly	2

86	5680369001		2
87	5650703001	Plain Washer	2
88	5640510001	Hexagon Flange Head	3
89	5680368001		1
90	2823689001	Quick Connect Coupling	1
201	2829546002	Seat Assembly	1



Product Description:Tractor
Model Number:TR4200E
Service Item Number:2829546002S01
Version:A
Issue Date: 2023/11/1



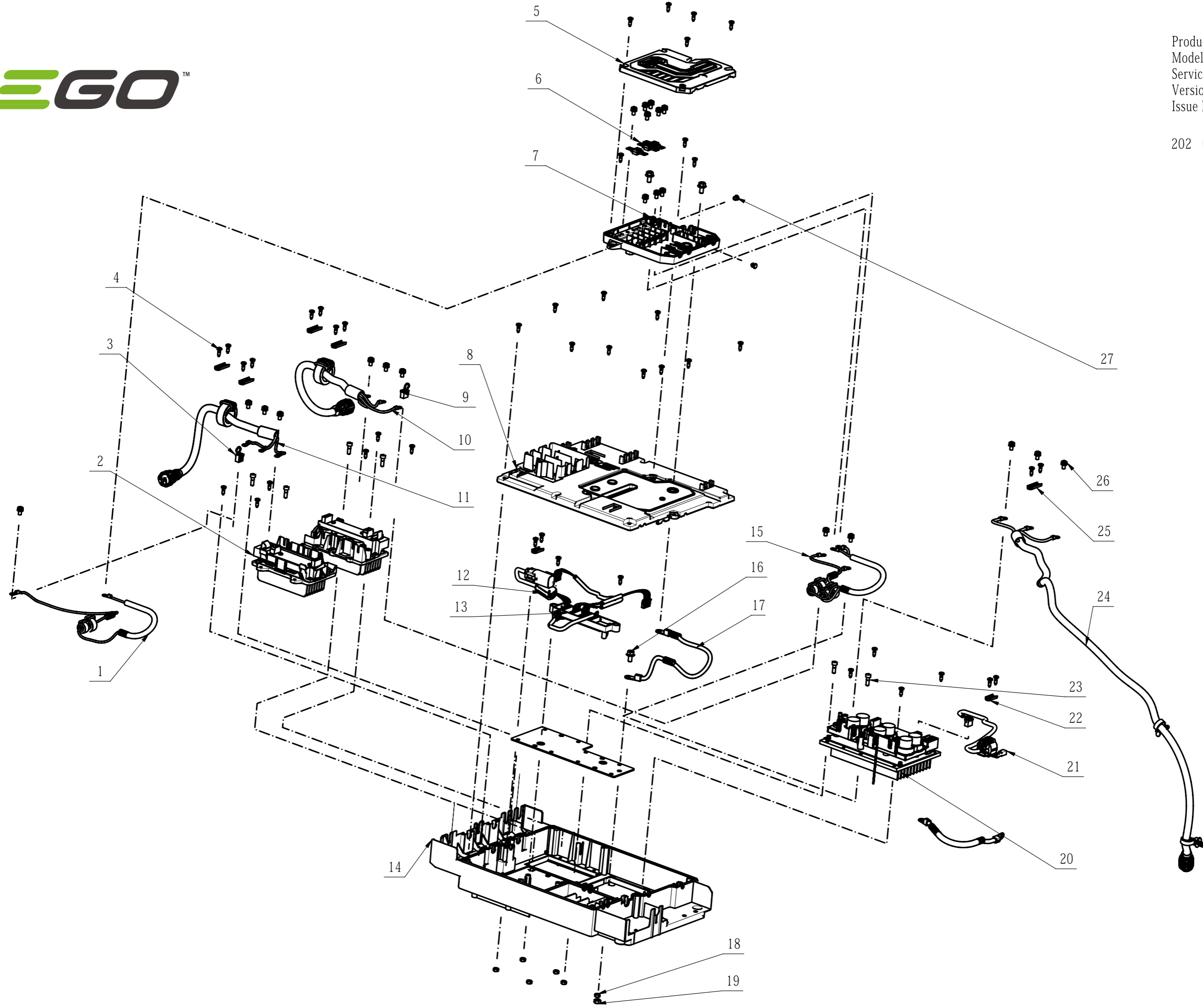
201 Seat Assembly

position	material number	description	quantity
	TR4201E_002	Siège	
201	2829546002	Seat Assembly	1
1	5611121001	Hexagon Socket Button Hea	2
2	4870579001	Switch Assembly	1
3	5630371001	Prevailing Torque Type	10
4	2829523001	Right Guide Rail	1
5	2829522001	Left Guide Rail	1
6	5650024005	Plain Washer	12
7	5611175001	Hexagon Socket Head Cap S	4
8	2246018001	Nameplate	1



Product Description: Tractor
Model Number: TR4200E
Service Item Number: 2832128001S01
Version: A
Issue Date: 2023/11/21

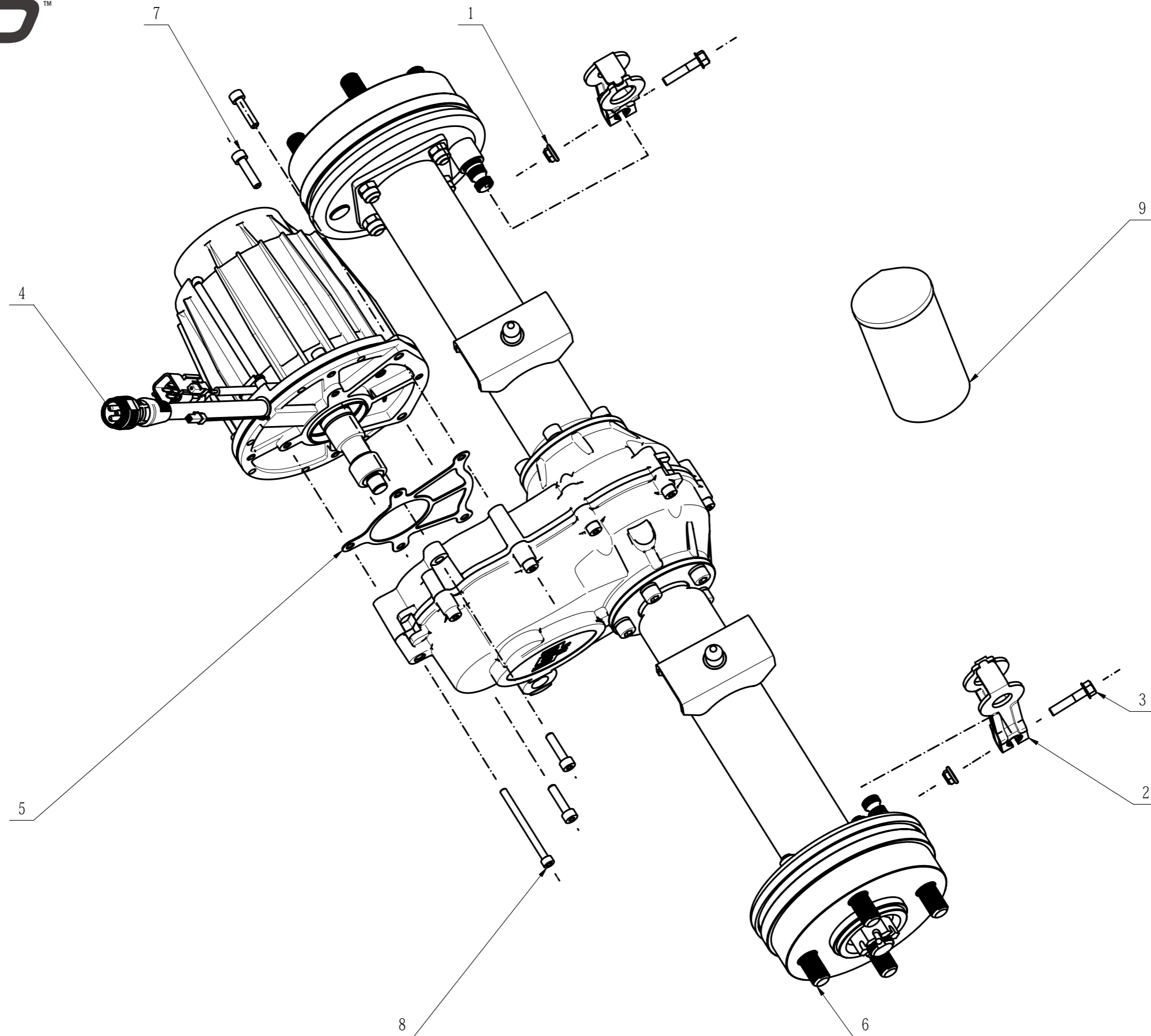
202 Control Electric Assembly



position	material number	description	quantity
	TR4201E_003	Contrôleur	
202	2832128001	Control Electric Assembly	1
1	4861329001	Host Power Wire Harness	1
2	2831918001	Motor Driver Electric	2
3	4861204001	Motor Wiring Harness	1
4	5620377003	Hexagon Socket Screw	44
5	3131053001	Fuse PCB Box	1
6	4970355001	Fuse	3
7	2850307001	Base Assembly	1
8	3135272001	Top Cover	1
9	4861205001	Motor Wiring Harness	1
10	4861347002	Motor Wire Harness	1
11	4861347001	Motor Wire Harness	1
12	3680226001	Magnetic Block	1
13	2831467001	Connecting Electric	1
14	3135271001	Lower Housing	1
15	4861328001	Host Power Wire Harness	1
16	5640373001	Hex Serrated Flange Screw	3
17	4860768001	Host Power Wire Harness	1
18	5630006003	Prevailing Torque Hexagon	6
19	5630015001	Prevailing Torque Hexagon	1
20	2831917001	Main Electric Assembly	1
21	4861364001	Wire Harness	1
22	3700367001	Cord Anchorage	2
23	5620019004	Hexagon Socket Screw	6
24	4861306002	Motor Wire Harness	1
25	3707407001	Cord Anchorage	5
26	5611128001	Screw and Washer Assembl	21
27	3133018001	Waterproof Plug	2

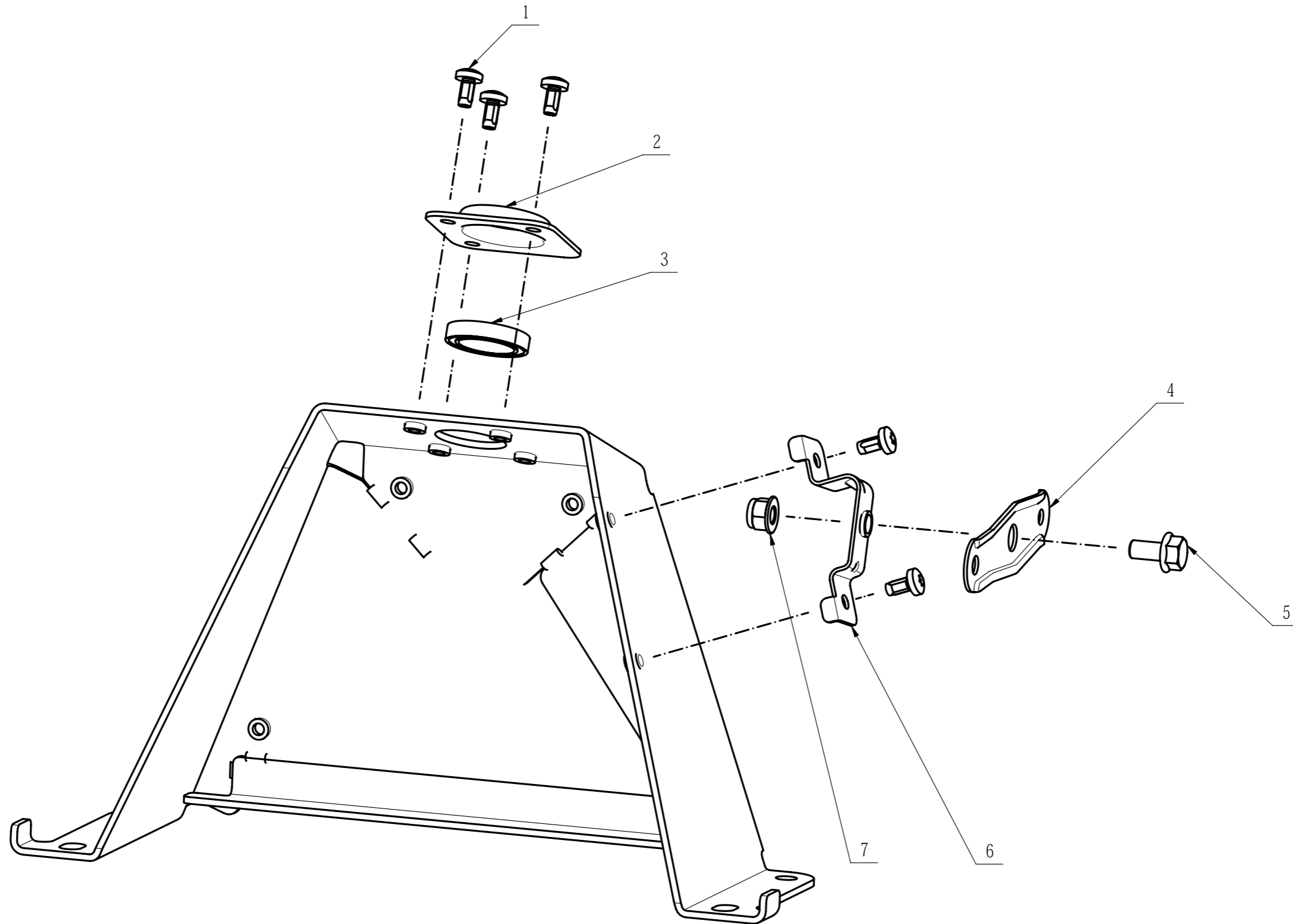


Product Description: Tractor
Model Number: TR4200E
Service Item Number: 2850164002S01
Version: A
Issue Date: 2023/10/24



203 Drive Axle Assembly

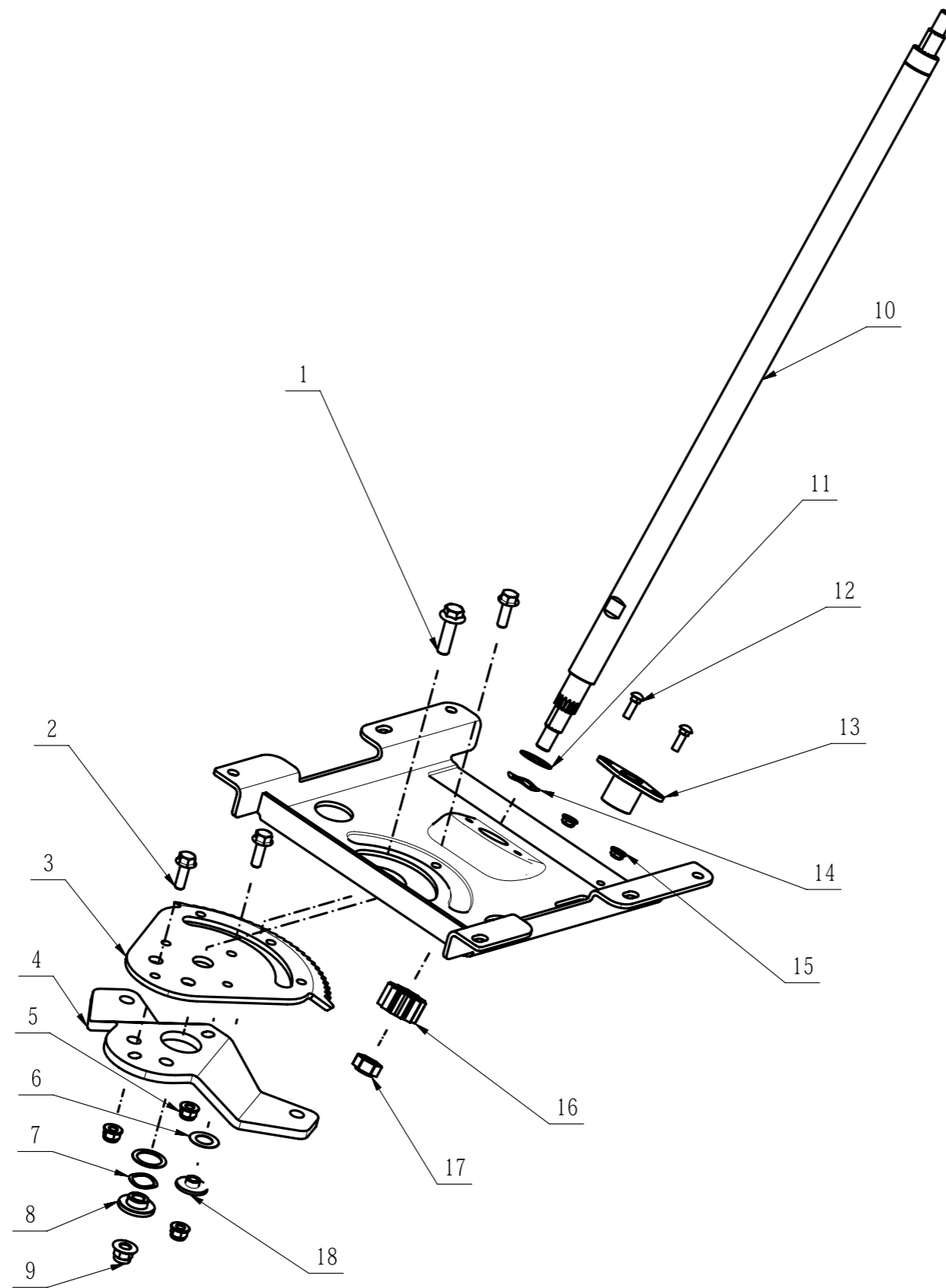
position	material number	description	quantity
	TR4201E_004	Pont Arrière	
1	5630244004	Nut	2
2	3708883001	Rocker Arm	2
3	5640536001	Flange Bolt	2
4	2730382002	DC Motor	1
5	5690612001	-----	1
6	2829675001	Rear Axle Assembly	1
7	5620550004	Hexagon Socket Screw	4
8	5611050001	Hexagon Socket Screw	1
9	5970163001	Grease	1



position	material number	description	quantity
	TR4201E_005	Support Colonne de Direction	
1	5610388001	Hexalobular Socket Threa	5
2	3708919001	Bearing Clamping Plate	1
3	5700252001	Spring	1
4	3708905001	Switch-plate	1
5	5640222001	Hexagon Flange Bolt	1
6	3708904001	Supporting Structure	1
7	5630371001	Prevailing Torque Type He	1



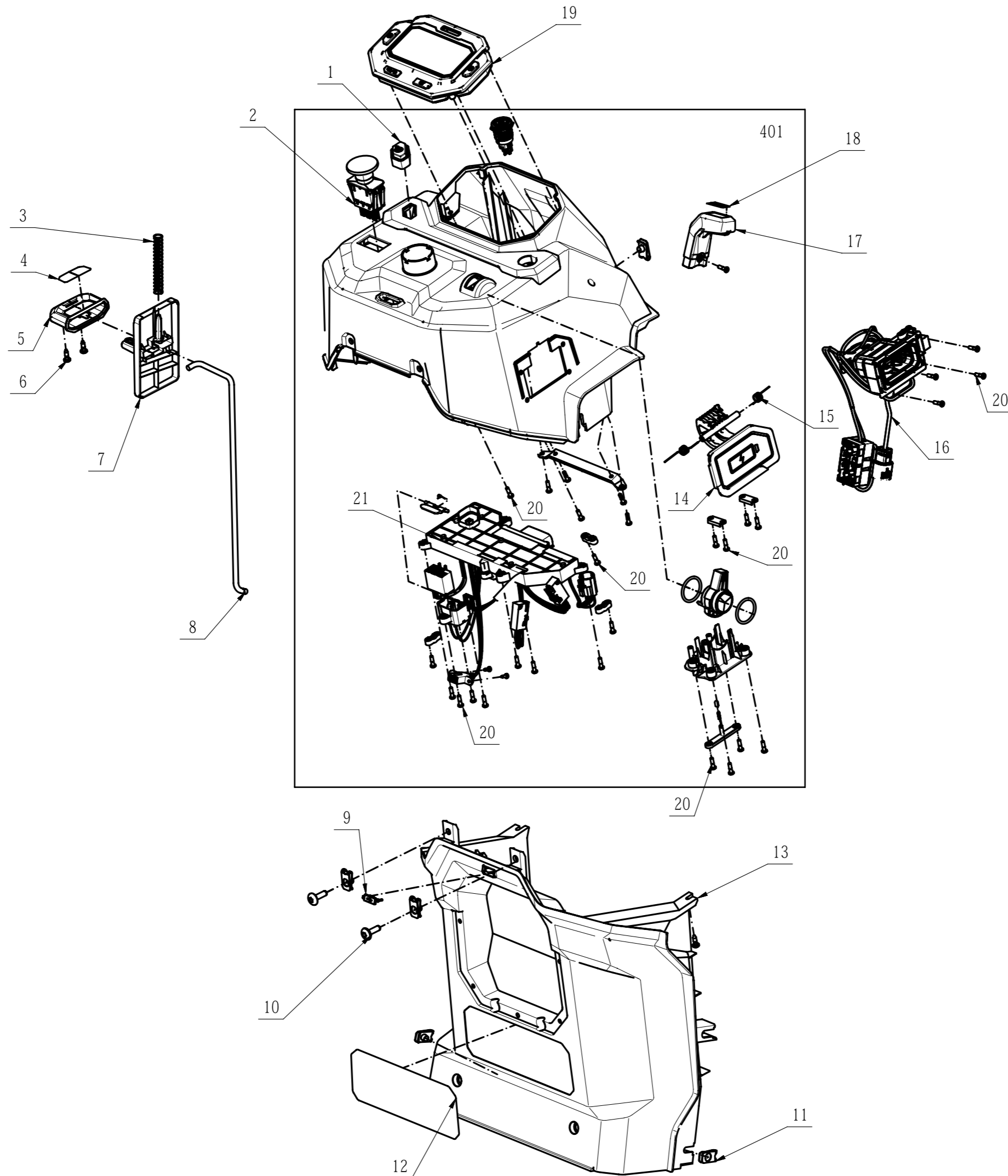
205 Spindle Assembly



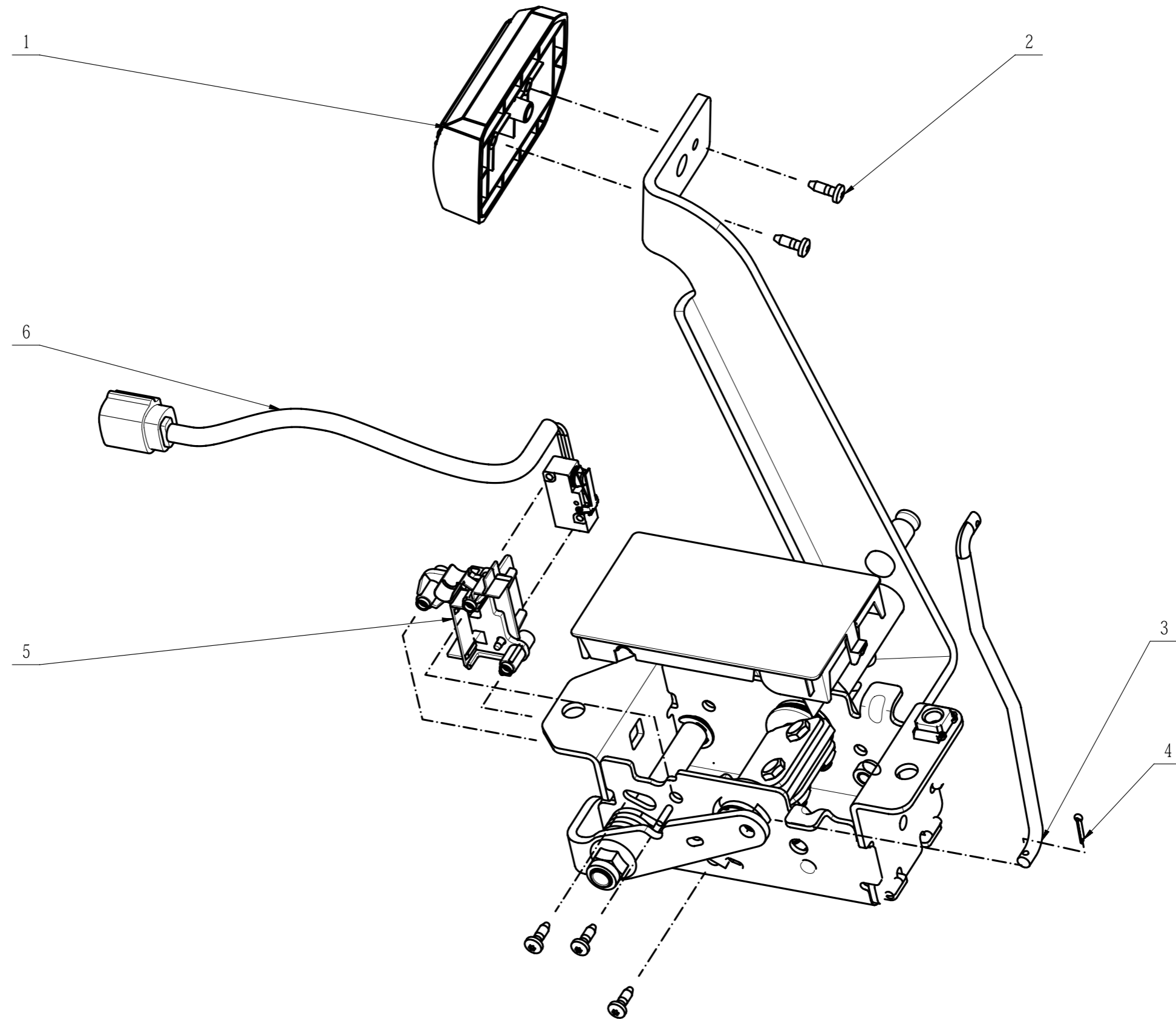


Product Description: Tractor
Model Number: TR4200E
Service Item Number: 2850220003S01
Version: A
Issue Date: 2023/11/10

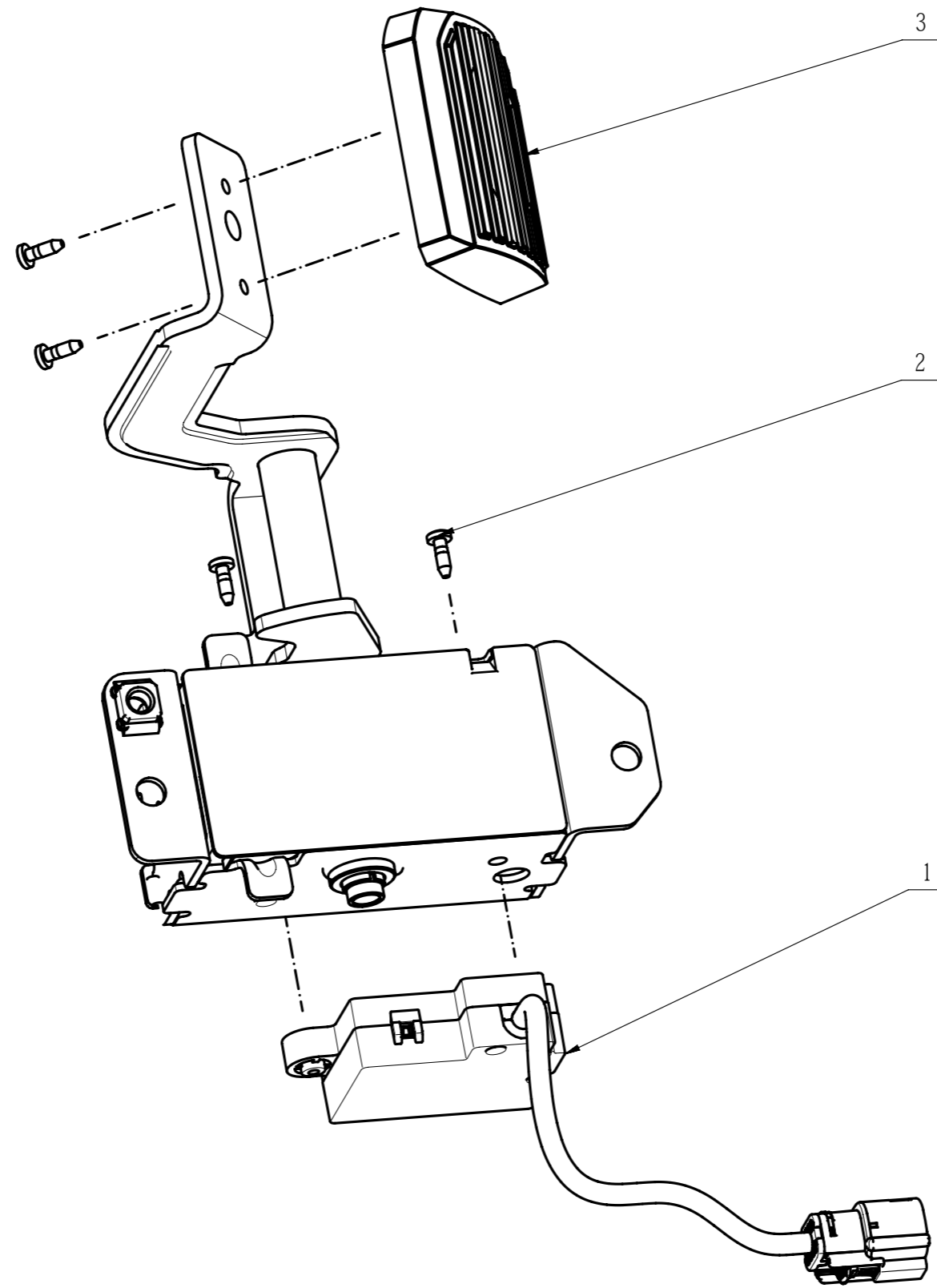
206 Manual Panel Assembly



position	nun	material number	description	quantity
		TR4201E_007	Tableau de Bord	
1		3134190001	Cruise Button	1
2		4870762001	Push Switch	1
3		3667866001	Compression Spring	1
4		2246017001	Nameplate	1
5		3134137002	Push Plate	1
6		5620377003	Hexagon Socket Screw	4
7		3134138001	Plunge Unit	1
8		3650312001	Pull Rod	1
9		3135120001	Rubber Plug	1
10		5611130001	Hexalobular Socket Tapping	2
11		5630507001	Anti-stripping Clip	4
12		2246021002	Nameplate	1
13		3134186001	Support Base	1
14		3134179001	Charging Port Cover	1
15		3660810001	Torsion Spring	2
16		2829750001	Charging Harness Assembly	1
17		3134192002	Handle	1
18		2246016001	Nameplate	1
19		2829495001	LCD Assembly	1
20		5610305001	Tapping Screw	29
21		2831466001	Push Button Panel Electric	1
401		2851019001	Manual Panel Assembly	1



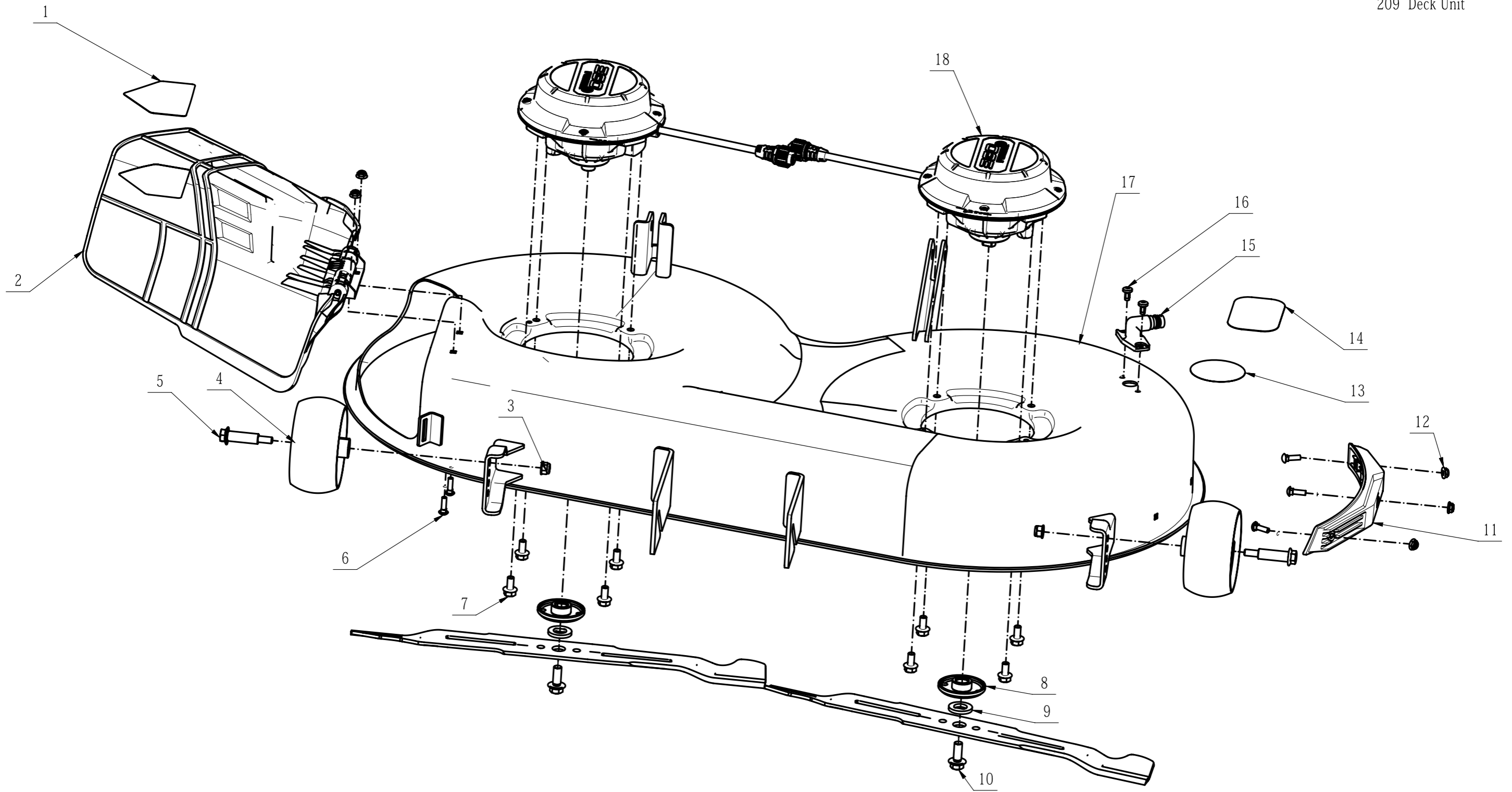
position	nun	material number	description	quantity
		TR4201E_008	Pédale de Frein	
207		2829440001	Brake Assembly	1
1		3134128001	Pedal	1
2		5620377003	Hexagon Socket Screw	5
3		3650329001	Handspike	1
4		5670184002	Pin	1
5		3134130001	Switch Support	1
6		4870979001	Switch Assembly	1



position	nun	material number	description	quantity
		TR4201E_009	Accélérateur	
208		2829441001	Accelerator	1
	1	2831378001	Hall Electric Assembly	1
	2	5620377003	Hexagon Socket Screw	4
	3	3134129001	Pedal	1

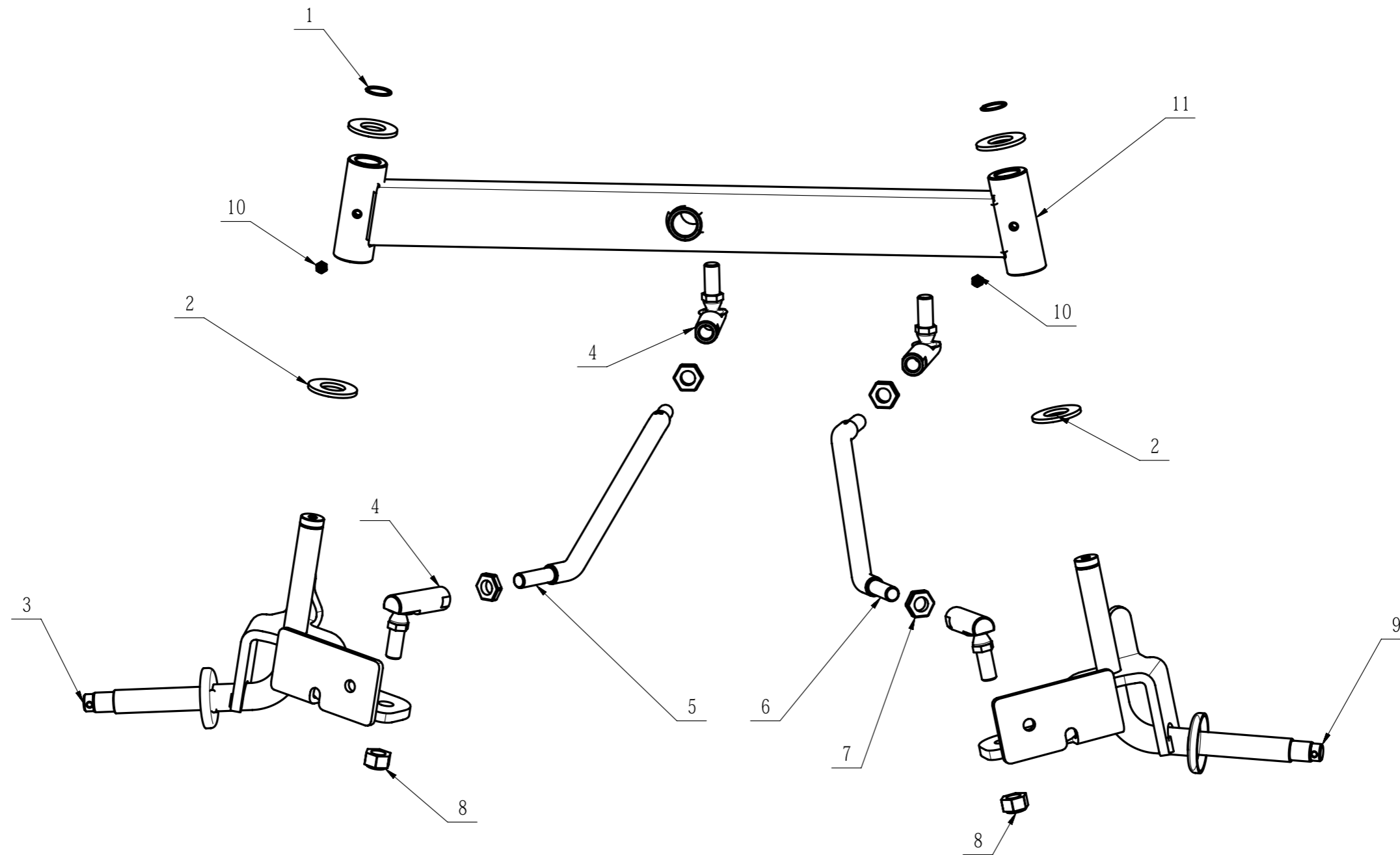


209 Deck Unit

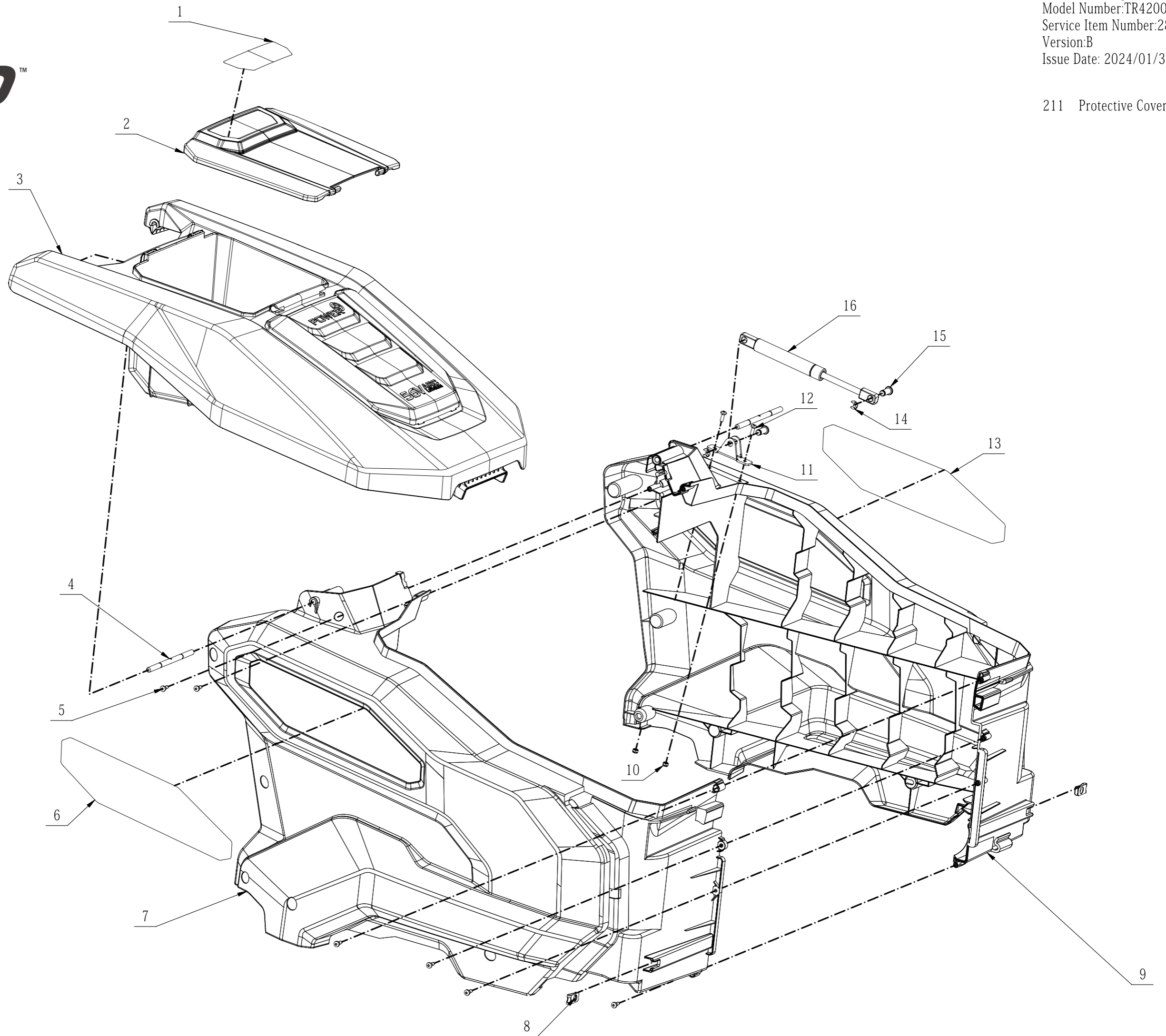


position	nun	material number	description	quantity
		TR4201E_010	Plateau de Coupe	
1		2243529016	Nameplate	1
2		2823670005	Chute Deflector Assembly	1
3		5640352001	Hexagon Flange Bolt	2
4		3131072001	Roller Wheel	2
5		5640357001	Semicircular Head Square N	5
6		5640222001	Hexagon Flange Bolt	8
7		5640226001	Flange Bolt	2
8		5650510001	Washer	2
9		3580113001	Flange	2
10		5630371001	Prevailing Torque Type	2
11		3131048001	Baffle Strip	1
12		5630244004	Nut	5
13		2240127004	Label	1
14		2244796002	Nameplate	1
15		2823718001	Outlet Nozzle Assembly	1
16		5610388001	Hexalobular Socket Thread	2
17		2829476003	Deck Unit	1
18		2730319001	DC Motor	2

210 Front Axle



position	nun	material number	description	quantity
		TR4201E_011	Essieu Avant	
1		5660384001	-----	2
2		5650908001	-----	4
3		2829425001	Front Wheel Bracket Assem	1
4		5700539001		4
5		3708922001	Right Drag Link	1
6		3708921001	Left Drag Link	1
7		5630520001	Hexagon Thin Nut	4
8		5630519001	Lock Nut	2
9		2829424001	Front Wheel Bracket Assem	1
10		5640520001	Straight Hydraulc Grease	2
11		2829423001	Front Axle	1

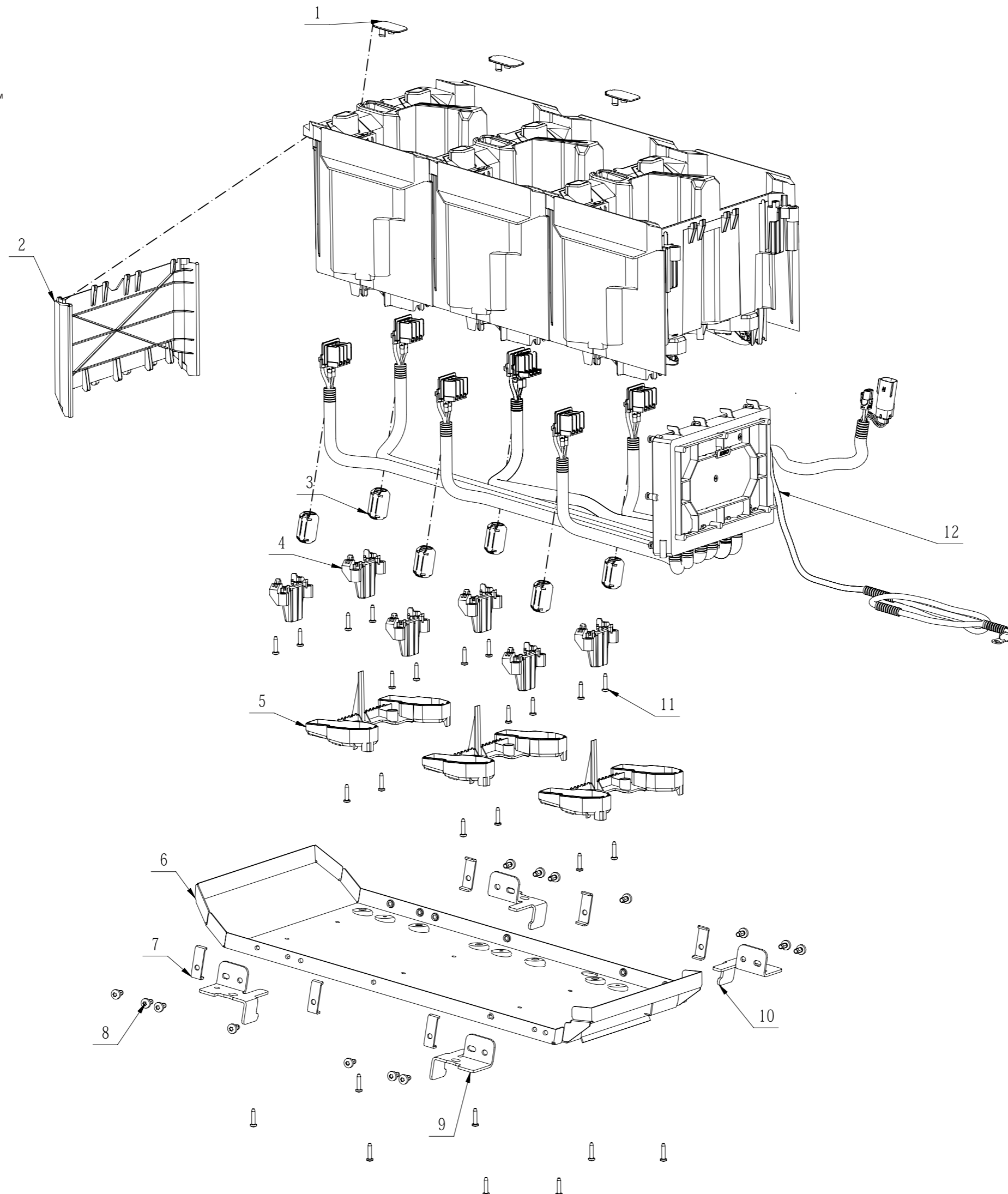


position	nun	material number	description	quantity
		TR4201E_012	Capot	
1		2850240002	Front Cover Assembly	1
2		3707446001	EGO Logo	1
3		2831479001	LED Electric Assembly	1
4		5620377003	Hexagon Socket Screw	2



Product Description: Tractor
Model Number: TR4200E
Service Item Number: 2850682001S01
Version: A
Issue Date: 2023/11/09

213 Battery Box Assembly



position	material number	description	quantity
	TR4201E_013	Compartment Batteries	
213	2850682001	Battery Box Assembly	1
213-1	3130965001	Cover	3
213-2	3130961001	Dust Cover	1
213-3	3680226001	Magnetic Block	6
213-4	3131426001	Supporting Structure	6
213-5	3130969001	Cover Plate	3
213-6	3709240001	Big Base Plate	1
213-7	3707351001	Hook	6
213-8	5610388001	Hexalobular Socket Thread	14
213-9	3708880001	Battery Left Bracket	2
213-10	3708879001	Right Bracket for Battery	2
213-11	5620157006	Hexagon Socket Screw	42
213-12	2831480001	BMS Electric Assembly	1
214	2851021001	Wrench Tool Set	1



ISEKI France S.A.S - ZAC des Ribes
27, avenue des frères Montgolfier - CS 20024
63178 Aubière Cedex
Tél. 04 73 91 93 51 - Fax. 04 73 90 23 11
E-mail : info@iseki.fr - www.iseki.fr